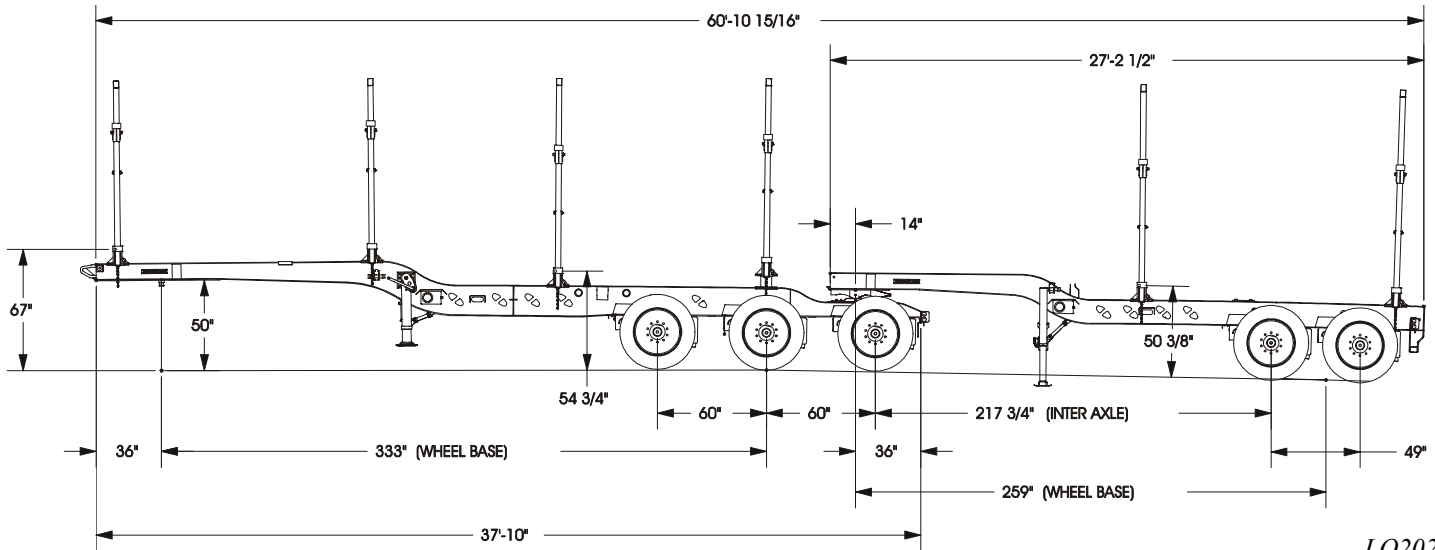


Standard Logger

Description: Super B Logger

DOEPKER
INDUSTRIES LTD.

Trailer Specifications



LO2022

Tare Weight Upon Request

Standard Equipment

Main Beams – Center Rail

Flange and web – T-1 steel with dimensions subject to lengths and ratings

Winches

- one on each bunk with hook opposite
- turned for easy operation

* Mark V, 2-speed landing gear with Arctic grease

* King pin

* Coupler plate 1/4"

* Mudflaps

* Chain axle slings on all axles

Lighting

- sealed beam per DOT specs
- cable wiring
- side signal lights
- Brake, side signal, and marker lights are LED
- extra rear signal (red)

Finish

- fully sand blasted
- PPG high Build Epoxy Primer
- PPG acrylicote - one colour
- reflective tape

Suspension

- Intraax AA - 250 – 9 air ride 25,000 lb capacity
- 2S1M Anti-lock braking system on each unit
- Stemco seals
- 16 1/2" x 7" P 20-20 linings with dust shields
- 30-30 spring brake
- auto slacks
- 10 stud cast unimount hub and drum
- air system per CMVSS
- 22.5 10 hole steel unimounts – powder coated – white
- 11R/22.5 tubeless radials B.F. Goodrich ST220

*Safety Certified