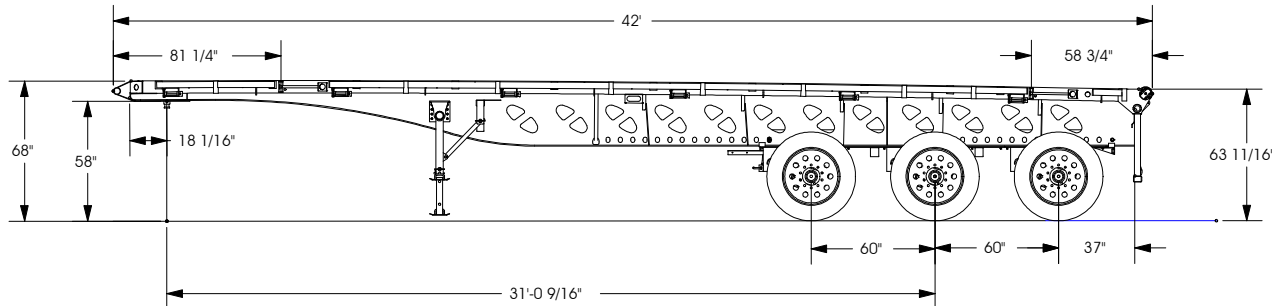


# Steel Flat Deck

Description: **42' x 8 1/2' Tridem Picker Trailer**

**DOEPKER**  
INDUSTRIES LTD.

## Trailer Specifications



## Standard Equipment

### Main Rail Ratings:

- Distributed Load - approximately 75,000 lbs
- 10' Concentrated Load - approximately 60,000 lbs
- 4' Concentrated Load - approximately 50,000 lbs

### Deck Height

- Approximately 67 1/2" at front and 63 1/2" at back

### Tare Weight

- Weight on request

### General

- Main Beams - Center Rail
  - Web: 3/16" x 25 1/2" high tensile steel
  - Flange: 3/8" x 6" high tensile steel
- Crossmembers
  - 4" high tensile Jr. I-beam on 9" at front with 12" at back
- Stake pockets on 4' centers in side rail
- Channel with heavy duty 3/8" x 3" rub rail
- Rear bumper - 10 gauge plate

- Fold-up style dollie legs
- Jost king pin at 18"
- Coupler plate 3/8"

### Lighting

- LED lights as per CMVSS
- Side signal lights
- Extra rear signal (red)

### Decking

- 2" x 6" T & G fir

### Finish

- Fully sand blasted steel
- Zinc Rich Primer on complete steel outside
- PPG High Build Epoxy Primer
- PPG Acrycote topcoat - one color

### Suspension

- Intraax AA-250 air ride 25,000 lbs
- Stemco seals
- 16 1/2" x 7" P20-20 linings with dust shields
- 30-30 spring brake
- 2S2M anti-lock braking system
- Auto slacks
- Air system per CMVSS

- Chain axle slings

### Hubs, Rims & Tires

- 10 stud Cast Unimount hub and drum
- 22.5 - 10 hole steel unimount - powder coated white
- 11R/22.5 tubeless radials B.F. Goodrich ST220

### Protective Features

- Mudflaps at back
- Rear impact guard where required

### Standard Features

- Partial pick-up throat at front
- 7" live roll at back c/w 2 support rollers
- 9 pin pockets per side

\* Safety Certified