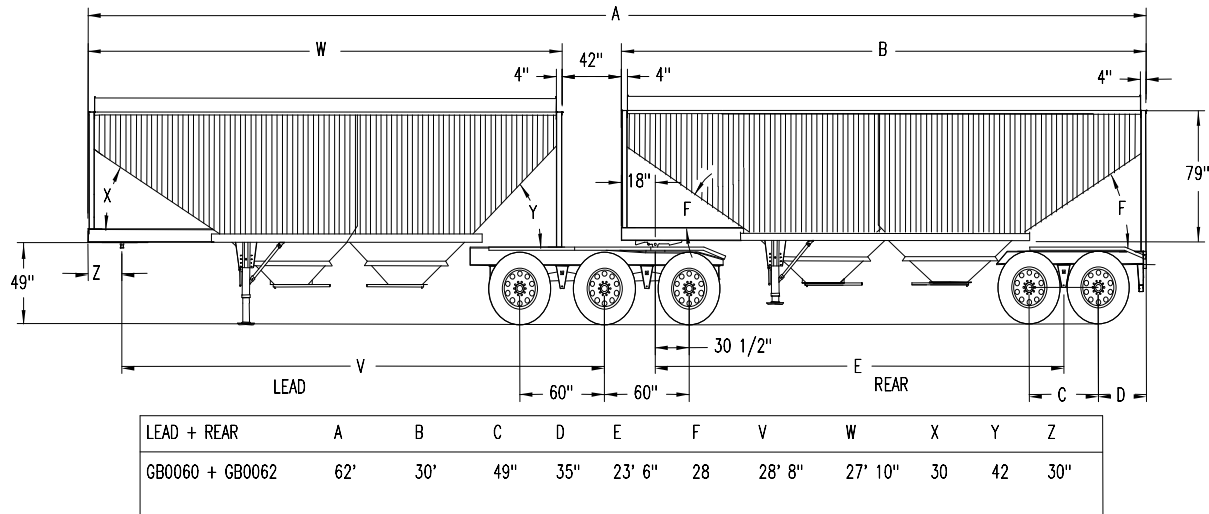


# Open End Steel Super B Bulker

Description: 27'10" x 30' x 8 1/2' Super B / 27'10" x 29' x 8 1/2' Super B

**DOEPKER**  
INDUSTRIES LTD.

## Trailer Specifications



## Standard Equipment

### Capacity

- Lead unit approximately 1435 cu ft
- Rear unit approximately 1555 cu ft

### Height

- 136" to top of tarp hood - 79" O/A

### Tare Weight

- Including standard equipment approximately 20,900 lbs

### General

- Jost 2 speed landing gear
- Jost king pin as per model
- Aluminum catwalks and ladders
- Ladders inside
- Walls:
  - 16 gauge steel panel
  - 79" overall wall height
  - 4" vertical corrugations
  - Straight ends
- Hoppers:
  - 14 gauge steel
  - Rack & pinion chutes
  - 16" x 24" openings
  - 22" ground clearance
  - Removable lid with self cleaning track

### Slopes

- 14 gauge aluminum slope sheet & end wall
- As per model

### Lighting

- LED lights as per CMVSS
- Side signal lights
- Extra rear signal (red)

### Finish

- Fully sand blasted steel
- Zinc Rich Primer on outside steel
- PPG High Build Epoxy Primer inside and out
- PPG Acrycote topcoat - two colors
- Reflective tape
- Duraguard

### Tarp

- Michel Side Winder
- Short cranks at center
- Welded aluminum hood
- Choice of tarp color
- Reinforcement on all arches
- Tarp vents

### Suspension

- Intraax AA-230 air ride 23,000 lbs
- Stemco seals
- 16 1/2" x 7" P20-20 linings with dust shields
- 30-30 spring brake

- Anti-lock bricking system: lead - 2S2M, rear - 2S1M
- Auto slacks

### Air system per CMVSS

- Hubs, Rims & Tires
- 10 stud Cast Unimount hub and drum
- 22.5 - 10 hole steel unimount - powder coated white
- 11R/22.5 tubeless radials B.F. Goodrich ST220

### Protective Features

- Mudflaps full width at landing gear - lead & rear
- Mudflaps at back and chute mudflap for each trailer
- Stoneguard fenders at front of lead trailer only
- Aluminum checkerplate fenders at rear of each trailer
- Rear impact guard where required

\* Safety Certified